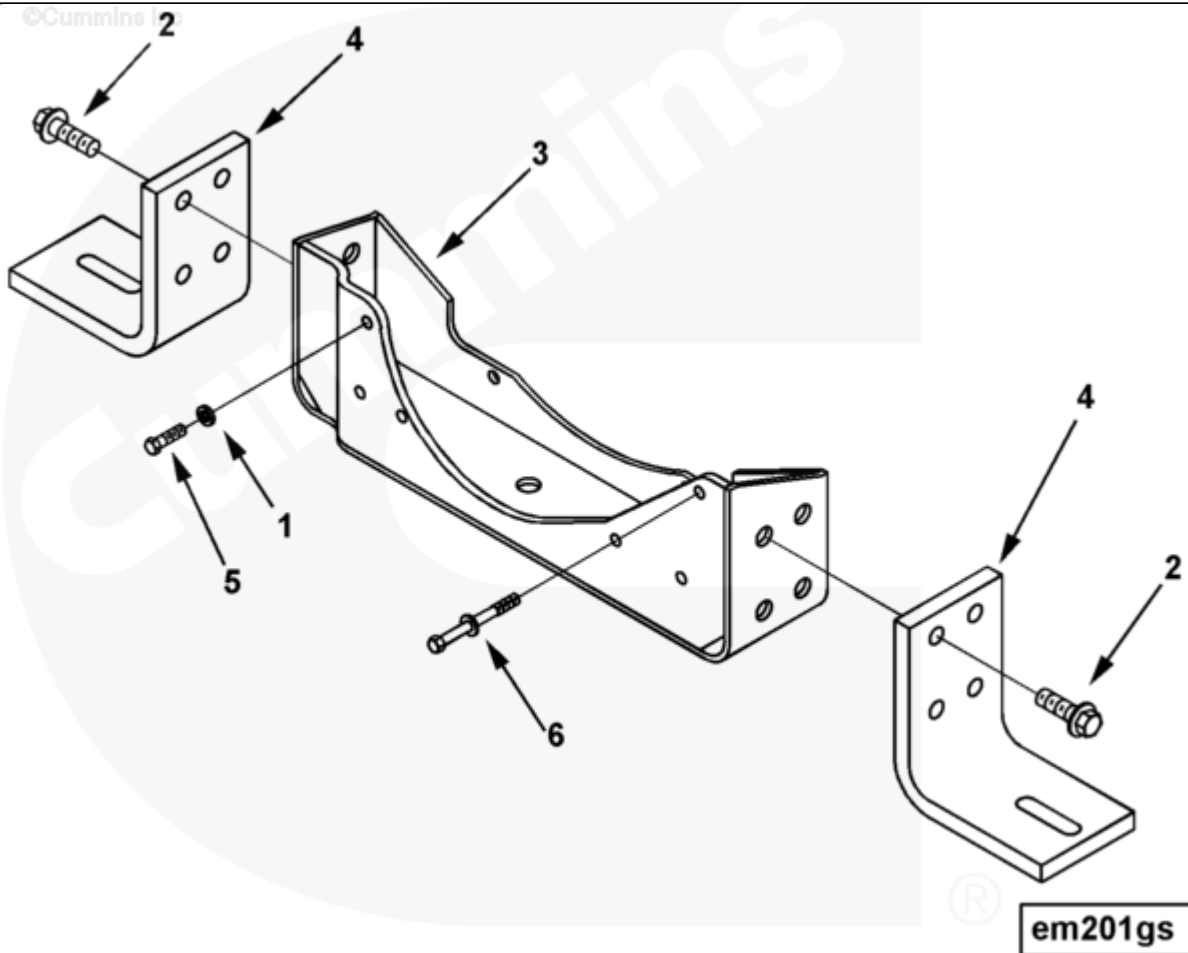




Parts Catalog - Option Detail

| Electronic Parts Catalog - Option Detail | | | | |
|--|--|---------|-----------|-----------|
| Option | Group | Graphic | Film Card | Date |
| EM2064-02 | 16.03 | em201gs | II | 10-OCT-02 |
| Engines | ISM CM570, ISM CM570/870, ISM CM875, ISM CM876, ISM CM876 E, ISM11 CM876 M103, ISM11 CM876 SN, M11 CELECT, M11 CELECT PLUS, M11 MECHANICAL, QSM11 CM570, QSM11 CM876 | | | |



[SMALL](#) | [MEDIUM](#) | [LARGE](#)

| Cart | Ref No | Part Number | Part Description | Required | Remarks |
|------------------------------|--------|---------------------------|----------------------|----------|--|
| View My Cart | | | | | |
| | | EM2064-02 | Front Engine Support | | MR - SUPPORT, FRONT...(More) |
| | | | | | ENGINE |
| | | | | | Engine Family: M11 |
| | | | | | Support Supplier: Cummins |

| | | | | | |
|--------------------------|---|-------------------------|-------------------------------|---|------------------------------|
| | | | | | MerCruiser Support Style: |
| | | | | | Fabricated Steel |
| | | | | | Support Type: Marine, |
| | | | | | Slotted Hole |
| | | | | | Isolator Mounting |
| | | | | | Information: |
| | | | | | Attachment |
| | | | | | Point Beyond Front Face of |
| | | | | | Block: 136.44mm (5.37 in.) |
| | | | | | Isolator Attachemnt Surface: |
| | | | | | 12.7mm (0.5 in.) Above Crank |
| | | | | | Centerline |
| | | | | | Isolator Mounting Width: 781 |
| | | | | | mm- 831mm (30.7-32.7 in.) |
| | | | | | |
| <input type="checkbox"/> | 1 | 203518 | Plain Washer | 1 | 3/8 inch |
| <input type="checkbox"/> | 2 | 3171717 | Hexagon Flange Head Cap Screw | 8 | |
| <input type="checkbox"/> | 3 | 4020197 | Front Engine Support | 1 | |
| <input type="checkbox"/> | 4 | 3349482 | Front Engine Support | 2 | |
| <input type="checkbox"/> | 5 | 3820988 | Hexagon Head Cap Screw | 1 | M10 x 1.50 x 35 |
| <input type="checkbox"/> | 6 | 3892105 | Captive Washer Cap Screw | 5 | M10 x 1.50 x 100 |